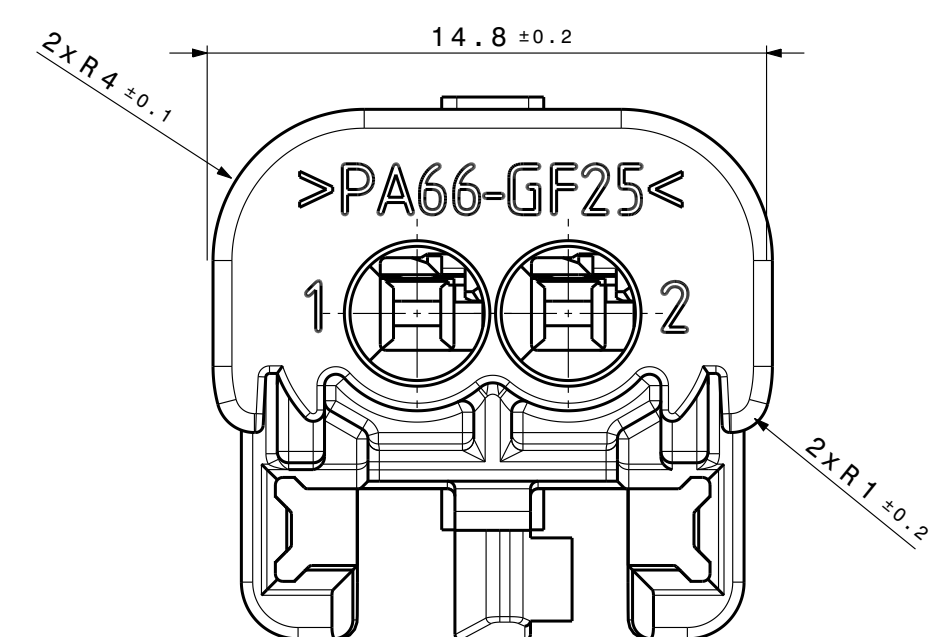
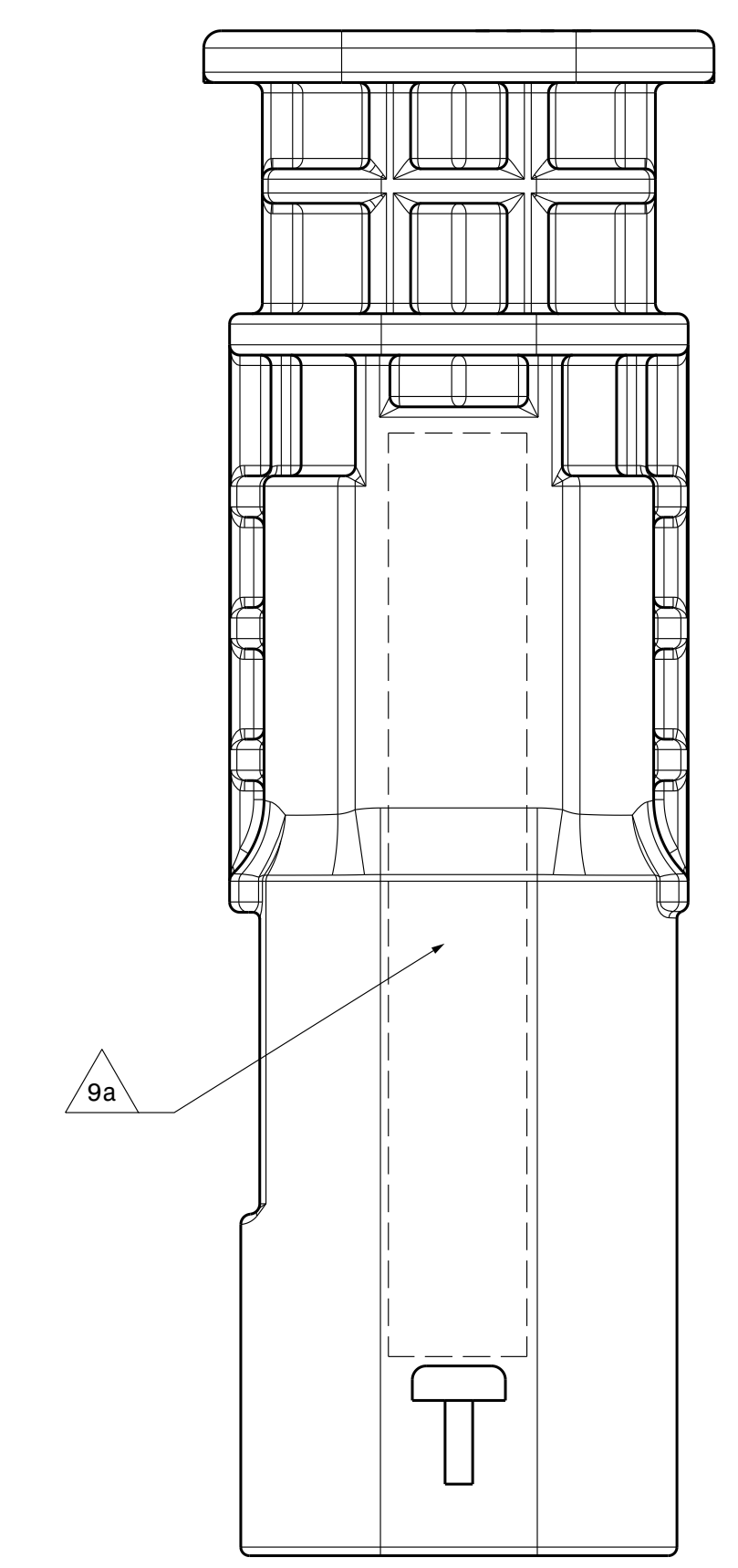
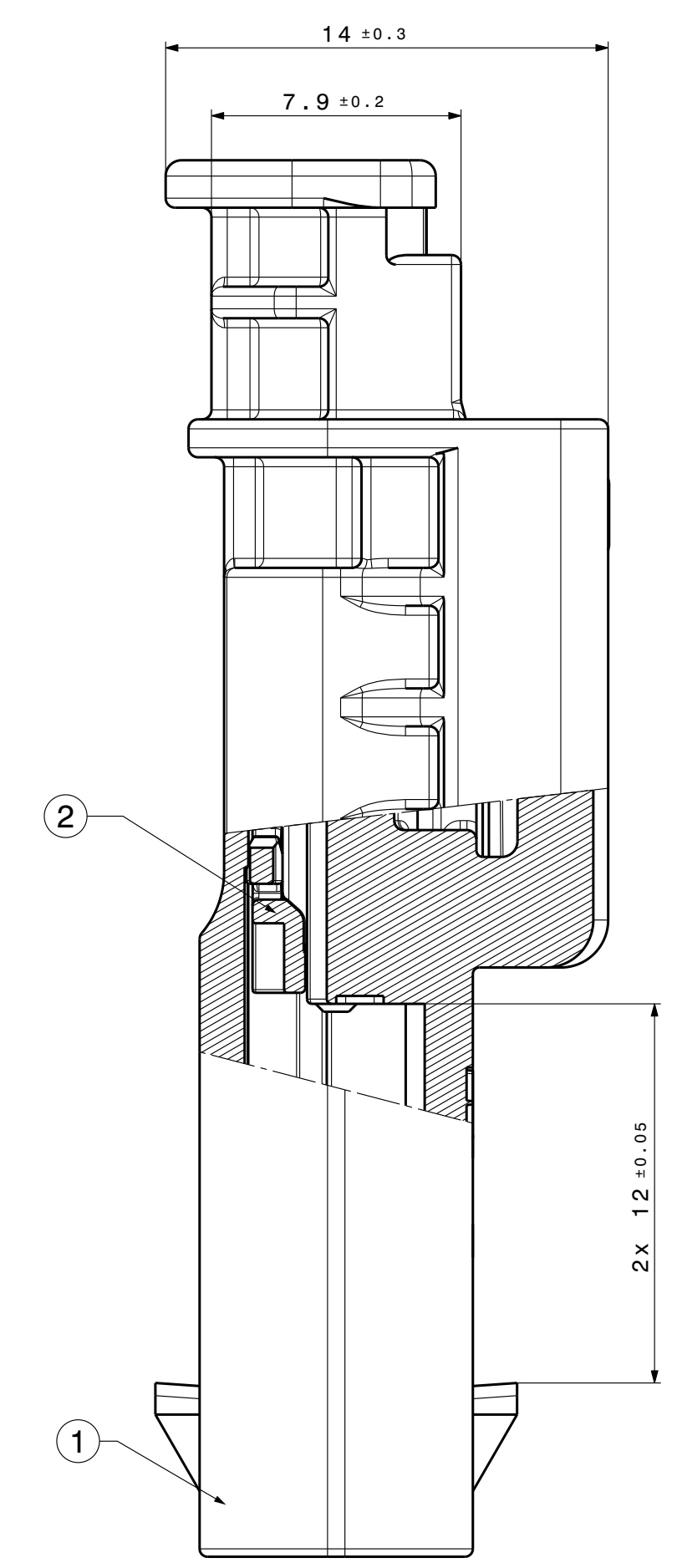
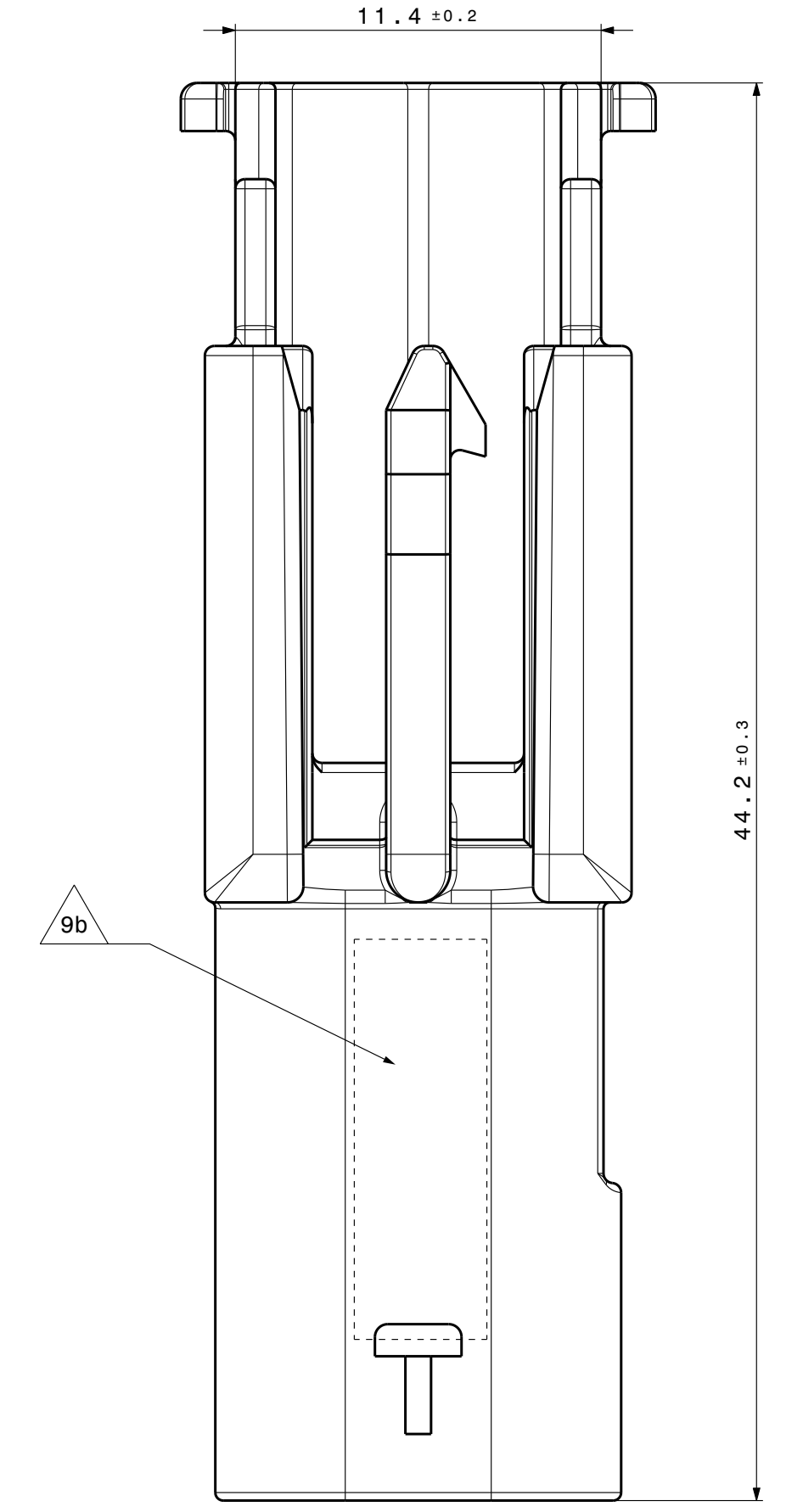
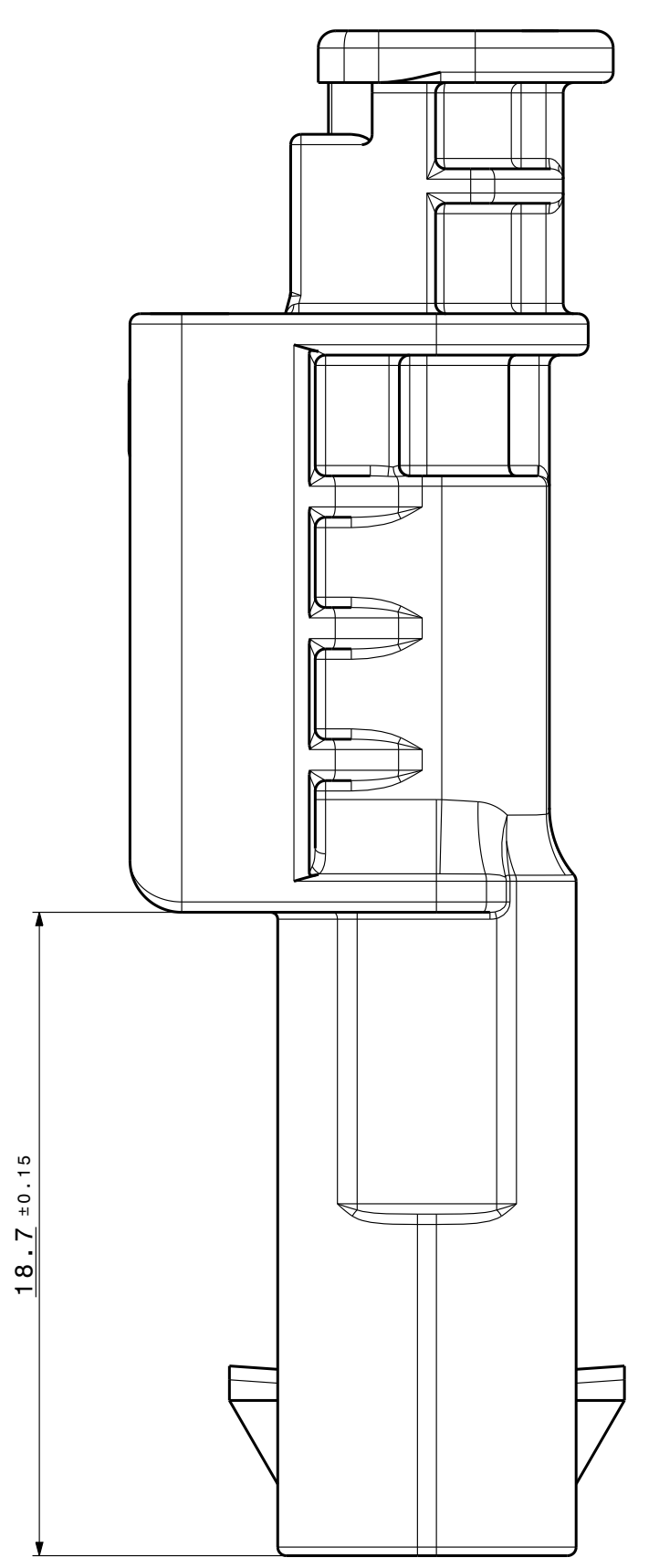
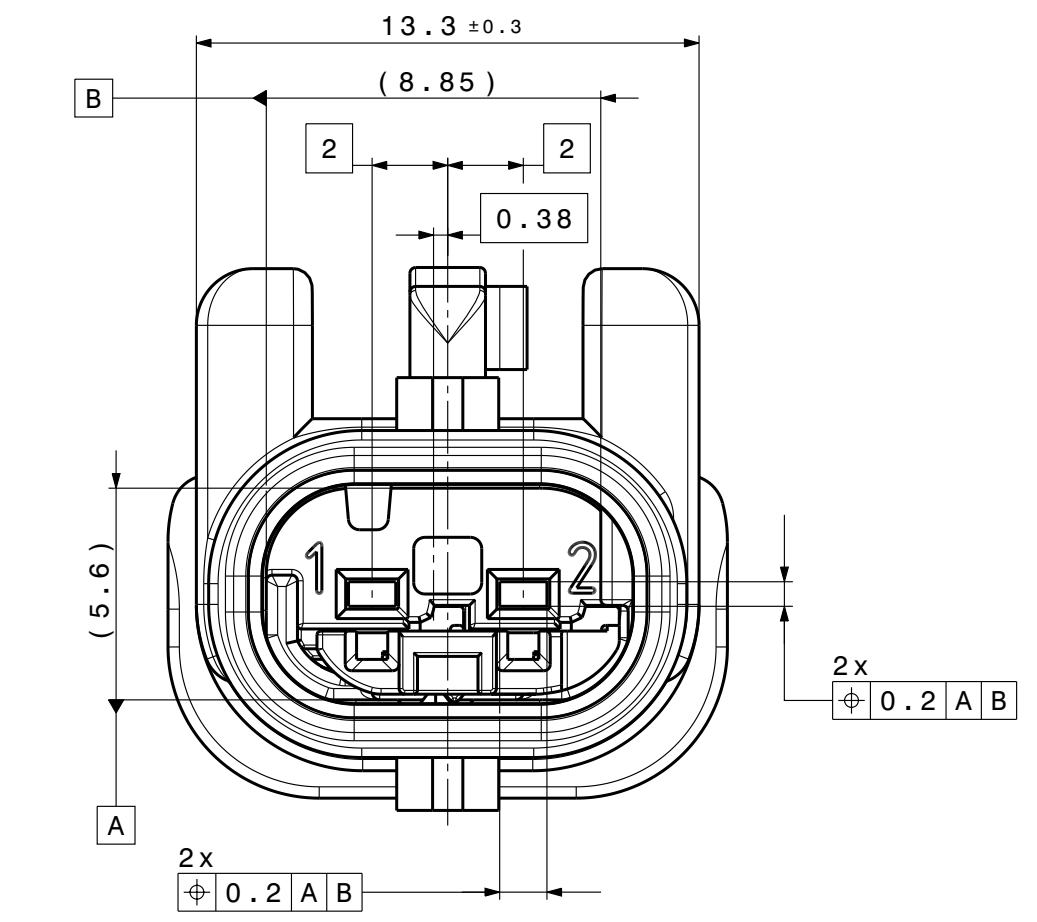


OPTION 1:
WITH LOCATOR ELEMENT



GENERAL TOLERANCES FOR UNTOLERATED DIMENSIONS:

- ANGLE-DIMENSIONS [°]
- TOLERANCE FOR ALL ANGLE-DIMENSIONS: ±2°
- RADII: [mm]
- DISTANCE-DIMENSIONS: DIN 2768-mH
- GENERAL TOLERANCE FOR SYMMETRY: ±0.3

To 1	1-3	3-10	10-20	20-30	30-50
±0.2	±0.3	±0.4	±0.5	±1	±2

CONNECTOR KEY-FACTS:

CONTACT CHAMBER:	1-2
CONTACT SYSTEM:	1.2x0.6
MAX. WSR [mm²]:	1.00
MAX. ISO-Ø [mm]:	SEE CONTACT DRAWING
MAX. CHAMBER-Ø [mm]:	Ø3.6
WATER TIGHTNESS (IP-CODE):	IPx7
ACC ISO 20653:	
WATER TIGHTNESS:	WATER LEAK TIGHTNESS TEST (INCL. PROTECTION CAP AT IPx9k)
ACC EPS-100121-00:	GG4
DYNAMIC LOAD:	SG4
ACC EPS-100121-00:	SURFACE-Tm
TEMPERATURE AREA (1000h):	SURFACE: Ag
ACC EPS-100121-00:	-40°C / +150°C
FLAME RESISTANCE ACC UL94 (ACC. DATA SHEET):	HB (1.5mm WALL THICKNESS)

ADDITIONAL VALID DOCUMENTS:

HA NUMBER:	CUSTOMER NUMBER:
872-975-...00	TYCO 114-18063-002
808-012-...00	KOSTAL MLK 1,2 10322345-1
872-857-...00	TYCO TAB CONTACT 1.2MM C-1418754
805-120-...00	
EPS-100121-00	
EVS-100121-00	
DVP-100223-00	
ETH-xxxxx-xxx	

- COMMENTS:**
- CODING A / OPTION 1 IS SHOWN
 - DELIVERY STATUS AS DRAWN AS BULK GOOD.
 - ENGLISH TEXT IS VALID
 - MISSING DIMENSIONS SEE CAD-MODEL. THEREFORE THE GENERAL-TOLERANCES ARE VALID
 - DESIGN DEVIATIONS COMPARED WITH DETAIL DRAWINGS ARE INSIGNIFICANT.
 - THE DETAIL DRAWINGS ARE VALID.
 - PART CORRESPONDS TO EU SCRAP CAR GUIDELINE 2000/53/EG
 - CHANGES BASED ON TECHNICAL PROGRESS ARE IN THE DECISION OF THE MANUFACTURER! DETAILS OF IMPLEMENTATION ARE LEFT TO MANUFACTURER.
 - MAX. 30% NO RECLAIM PERMITTED
 - PART IDENTIFICATION SIMILAR DIN 1451
 - LASER MARKING FIELD: SUPPLIERS CODE, HIRSCHMANN SIGN, PART-NO.
 - HIRSCHMANN-NUMBER, MOULD CAVITY MARKING, REVISION STATUS, DATE STAMP
 - DRAFT ANGLE WITHIN TOLERANCE.
 - MAX. SPLIT LINE 0.2
 - MAX. BURR 0.3

PART NUMBER:	REVISION:	OPTION:	CODING:	MATERIAL / COLOR HOUSING:	MATERIAL / COLOR LOCK BAR:	COMMENT:
809-555-526	A	2	A	PA66-GF25 BLACK SIMILAR RAL 9011	PABT/XT-GF35 HEATHER VIOLET SIMILAR RAL 4003	
809-555-529	A		B			
809-555-522	A	1	B	PA66-GF25 BLACK SIMILAR RAL 9011	PABT/XT-GF35 HEATHER VIOLET SIMILAR RAL 4003	
809-555-521	A		A			

00	Erstausführung / Initial edition	17.04.2019	BKT
Version	Num.	Description of alteration	Date
Test instructions			
Draw state	Material	Final state	Draw weight
Material-No.	Tolerances	ACCORDING DRAWING	Scale
	Edges	DIN ISO 13715	5:1
	Geometric tolerances:	ISO 1101	5:1
Drawn	Date	By	Checked
17.04.2019	B. Kleibohle	T. Bork	T. Bork
17.02.2021	T. Bork	T. Bork	T. Bork
2way 1.2 SealStar Male Connector			
HIRSCHMANN AUTOMOTIVE			
Drawing - No.		809-555-...00	
Drawing - No.		809-555-...00	
Controlled status available in the system!			