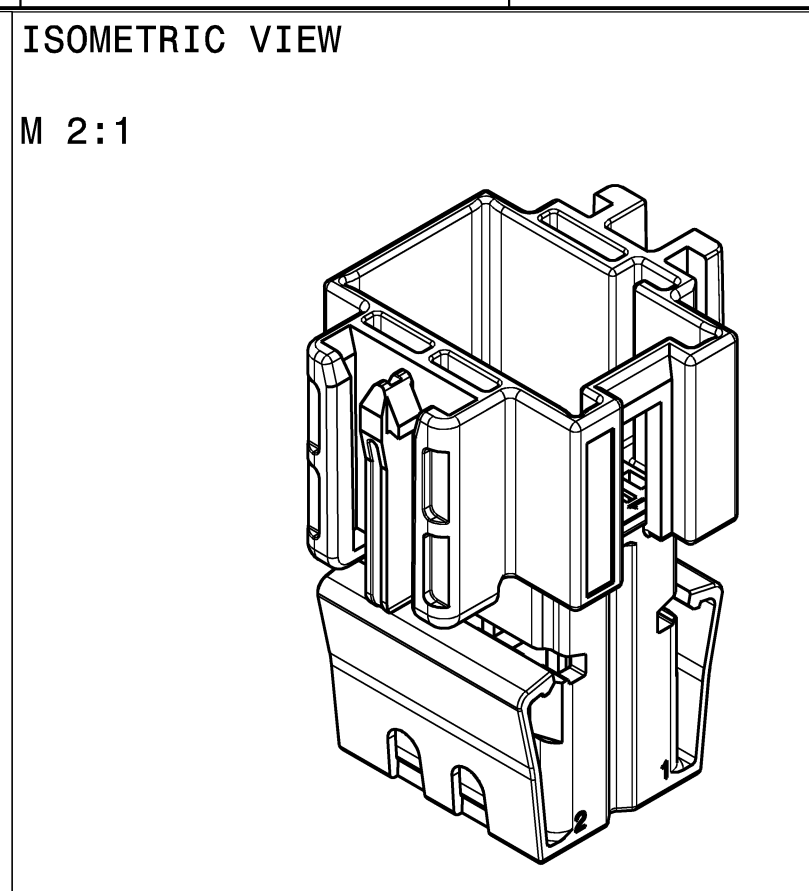
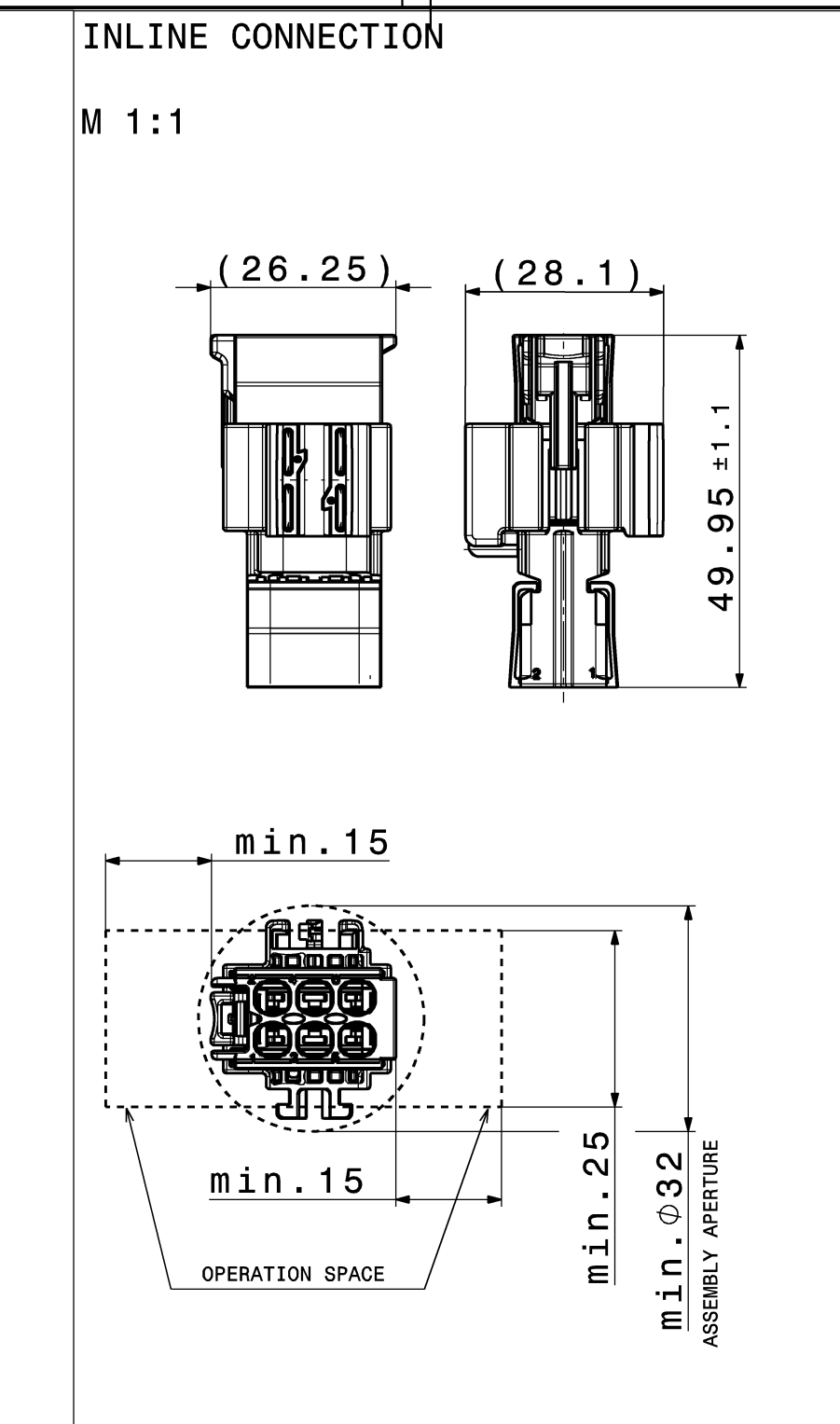
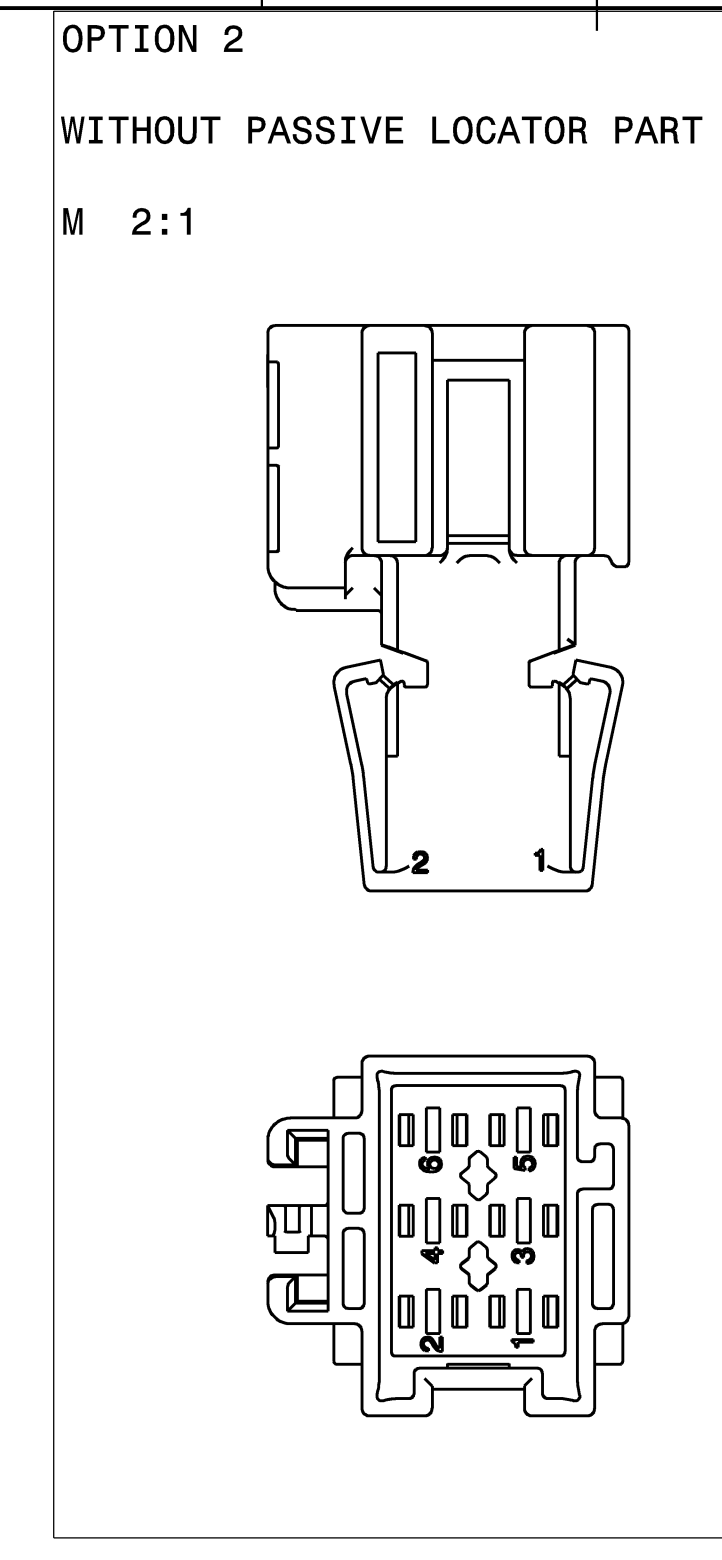
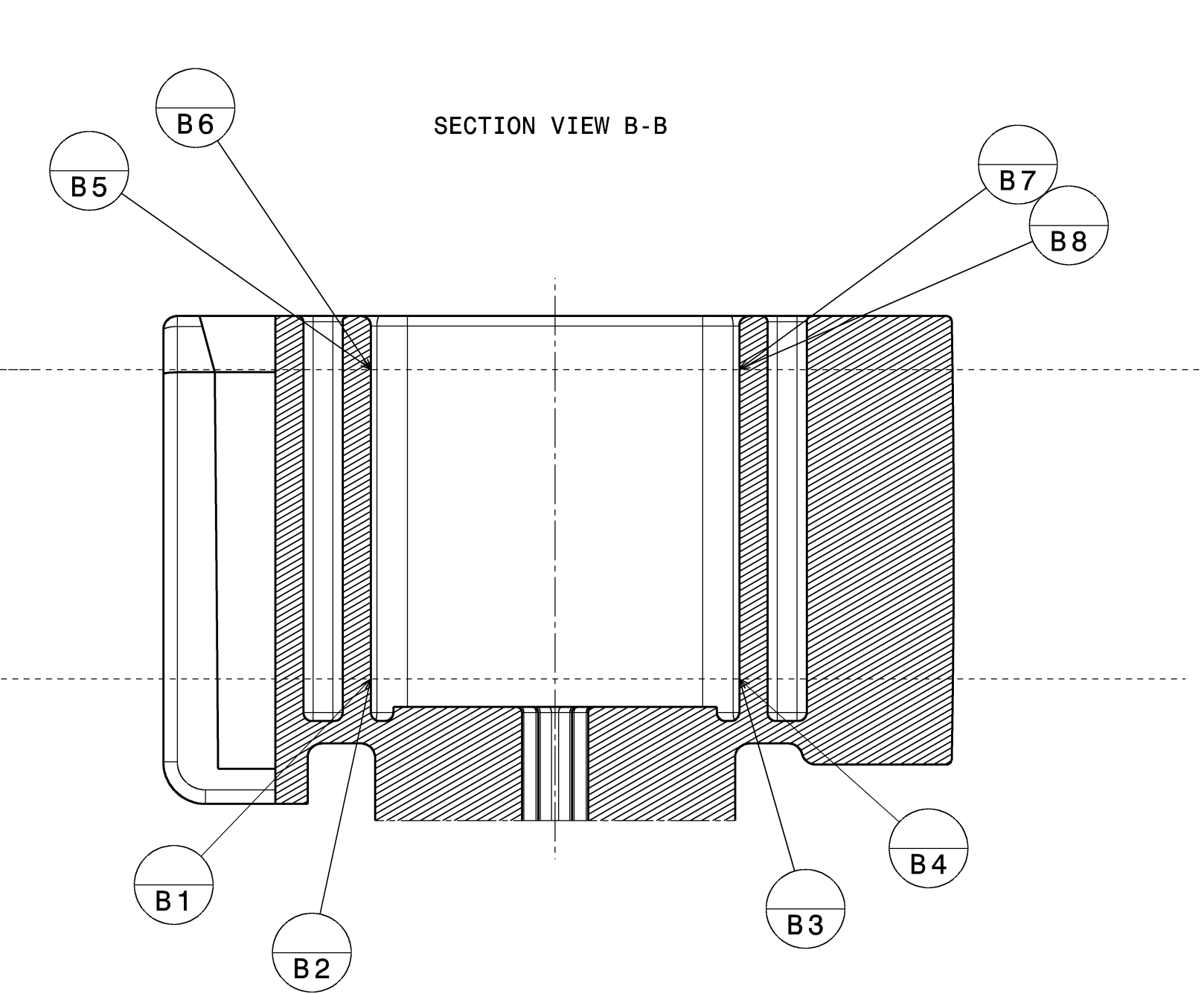
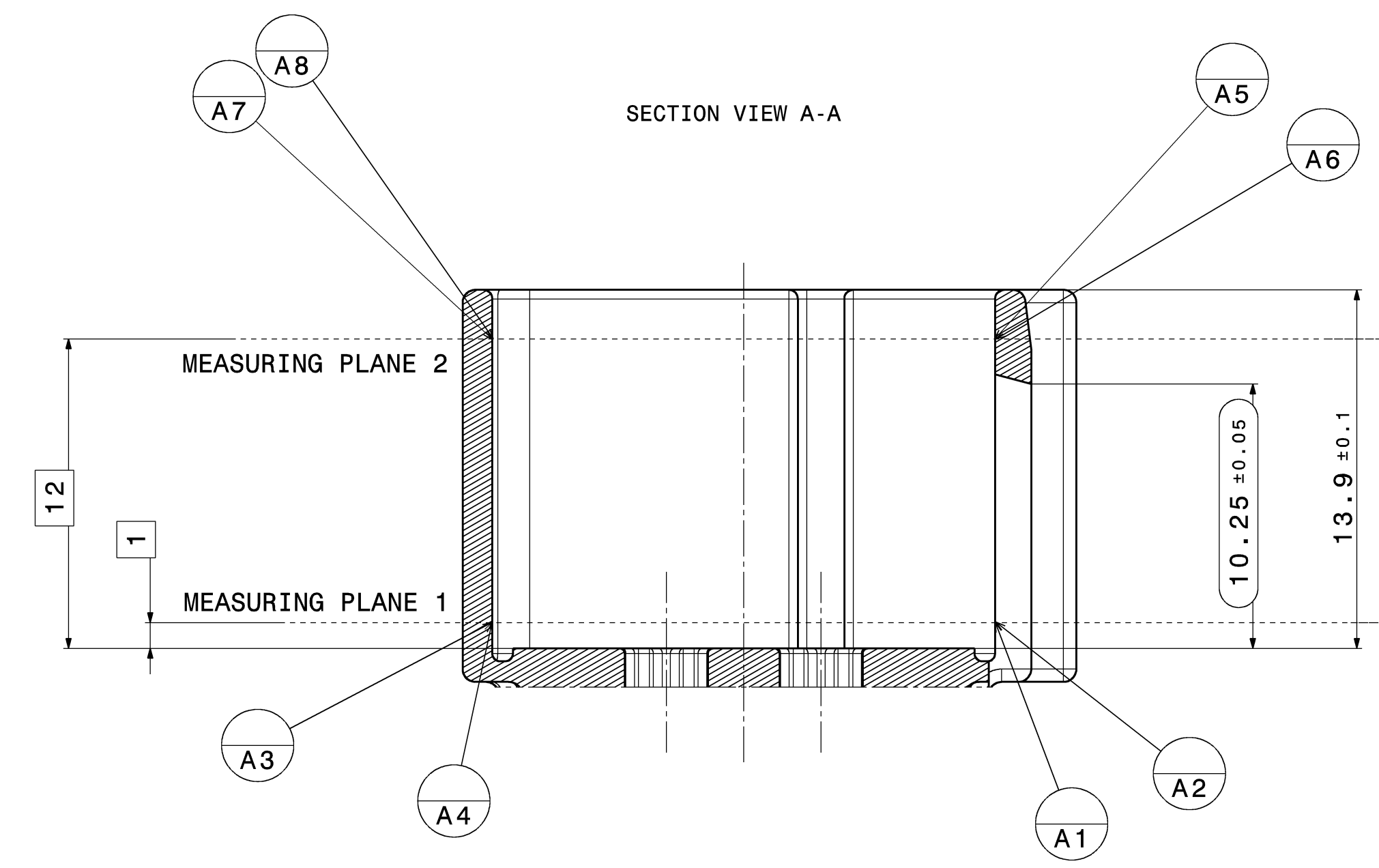
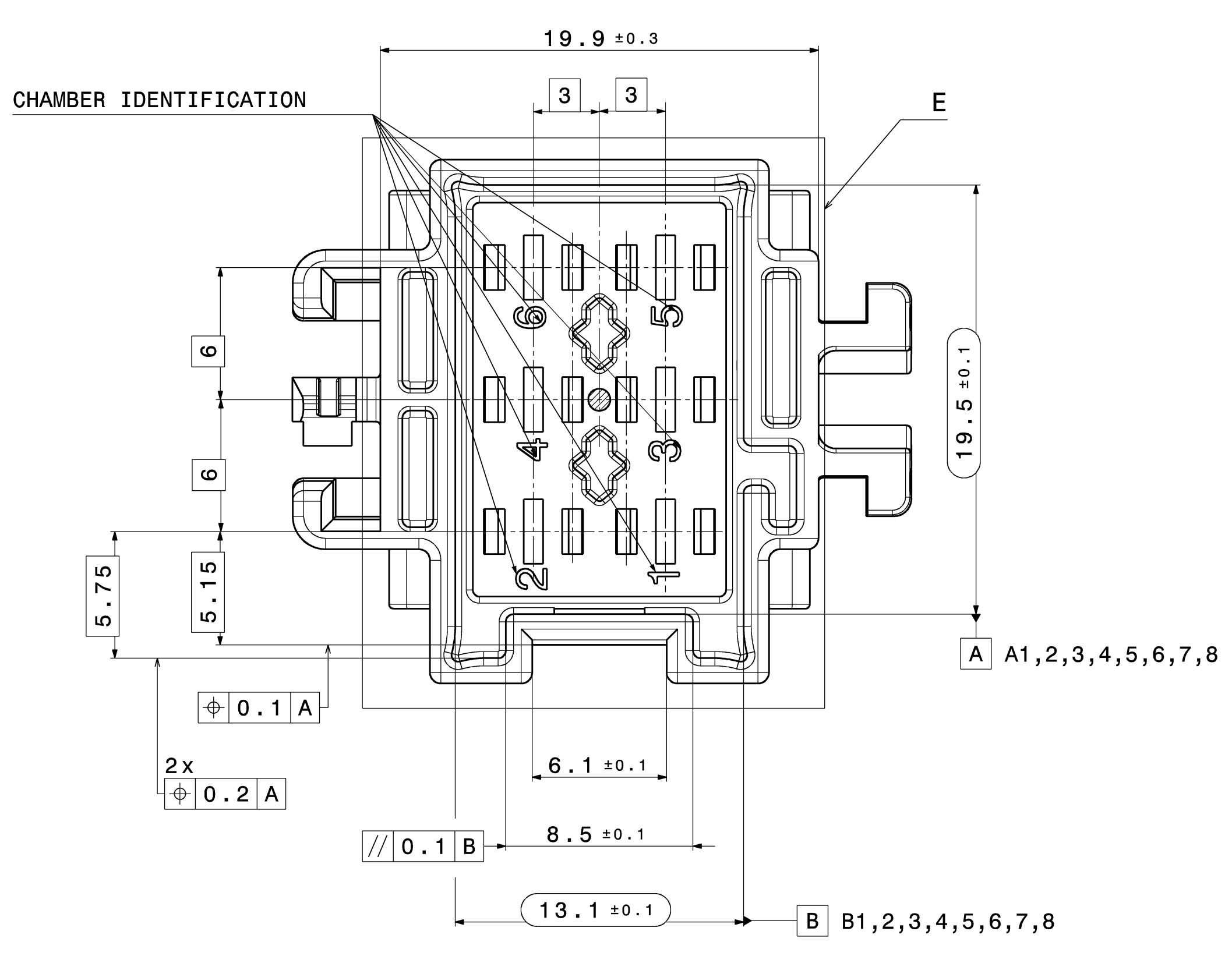
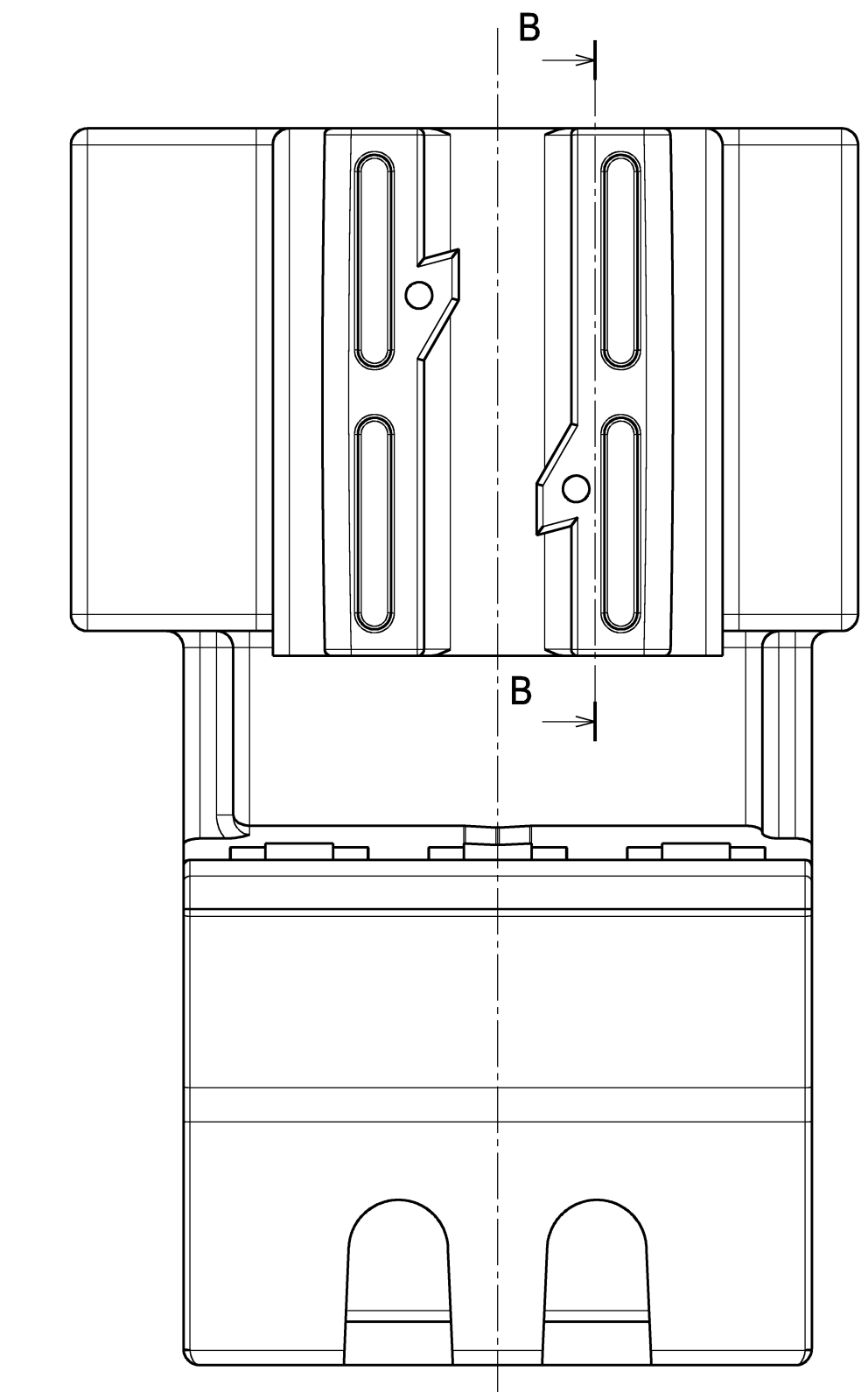
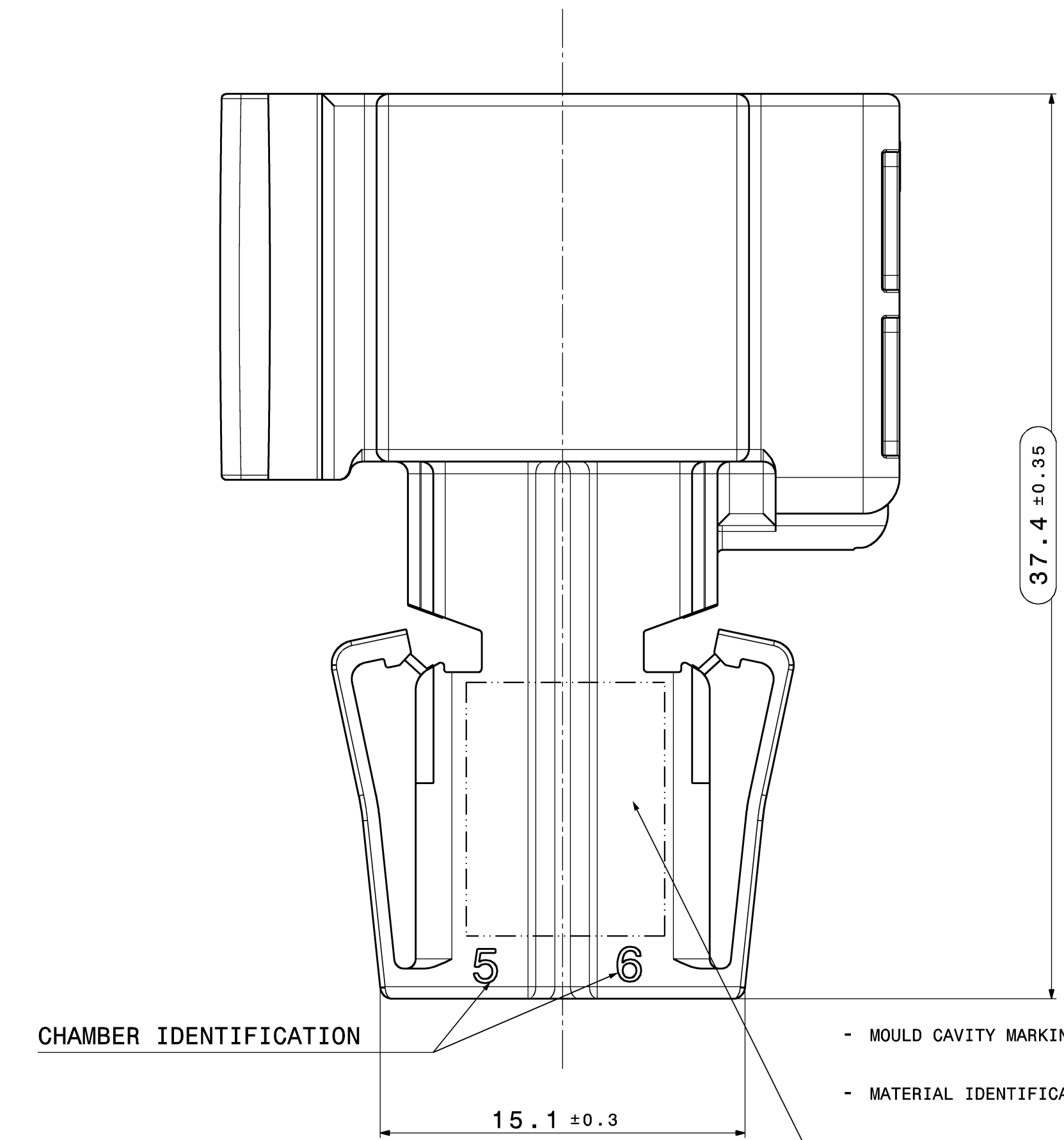
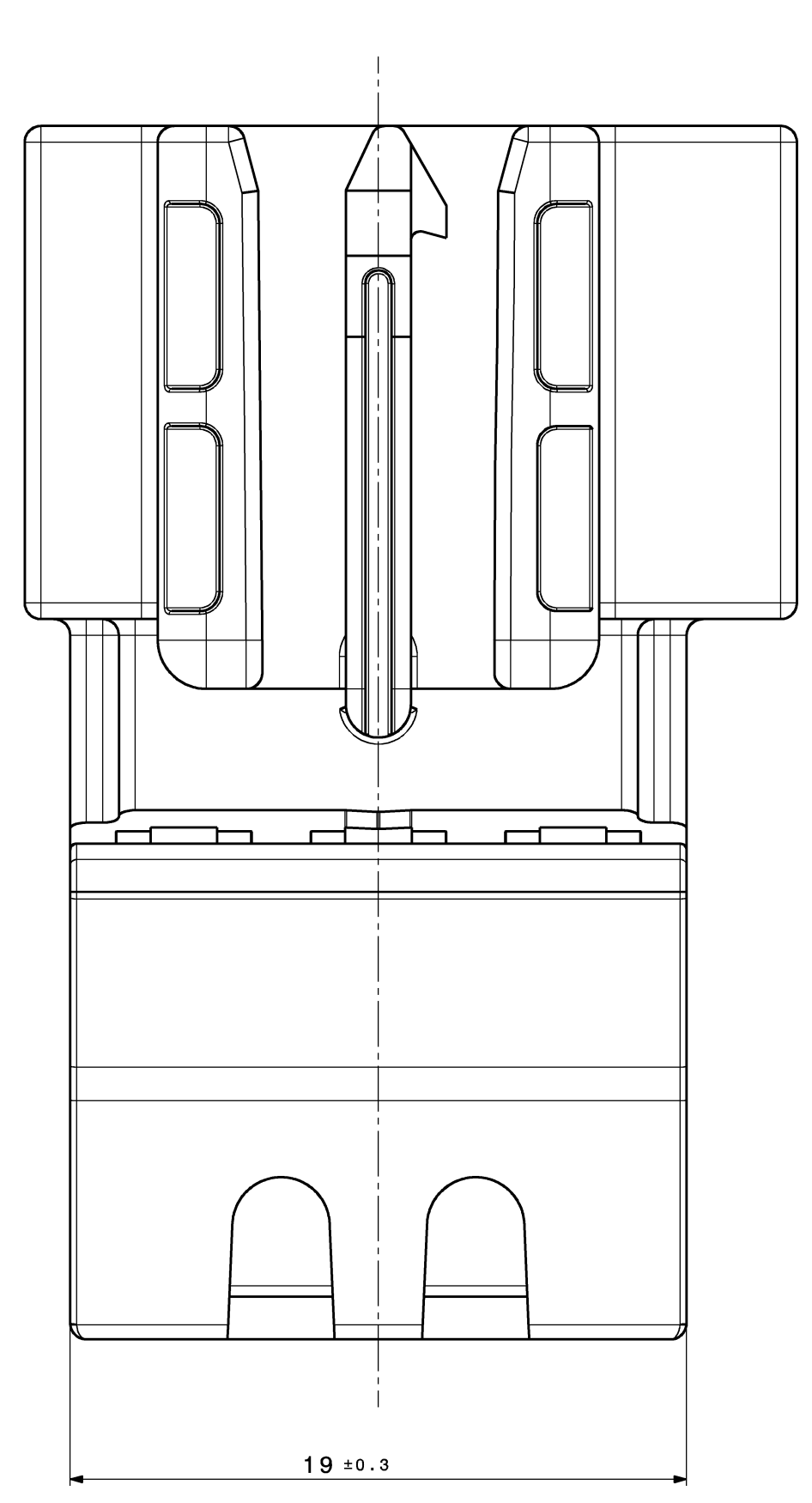
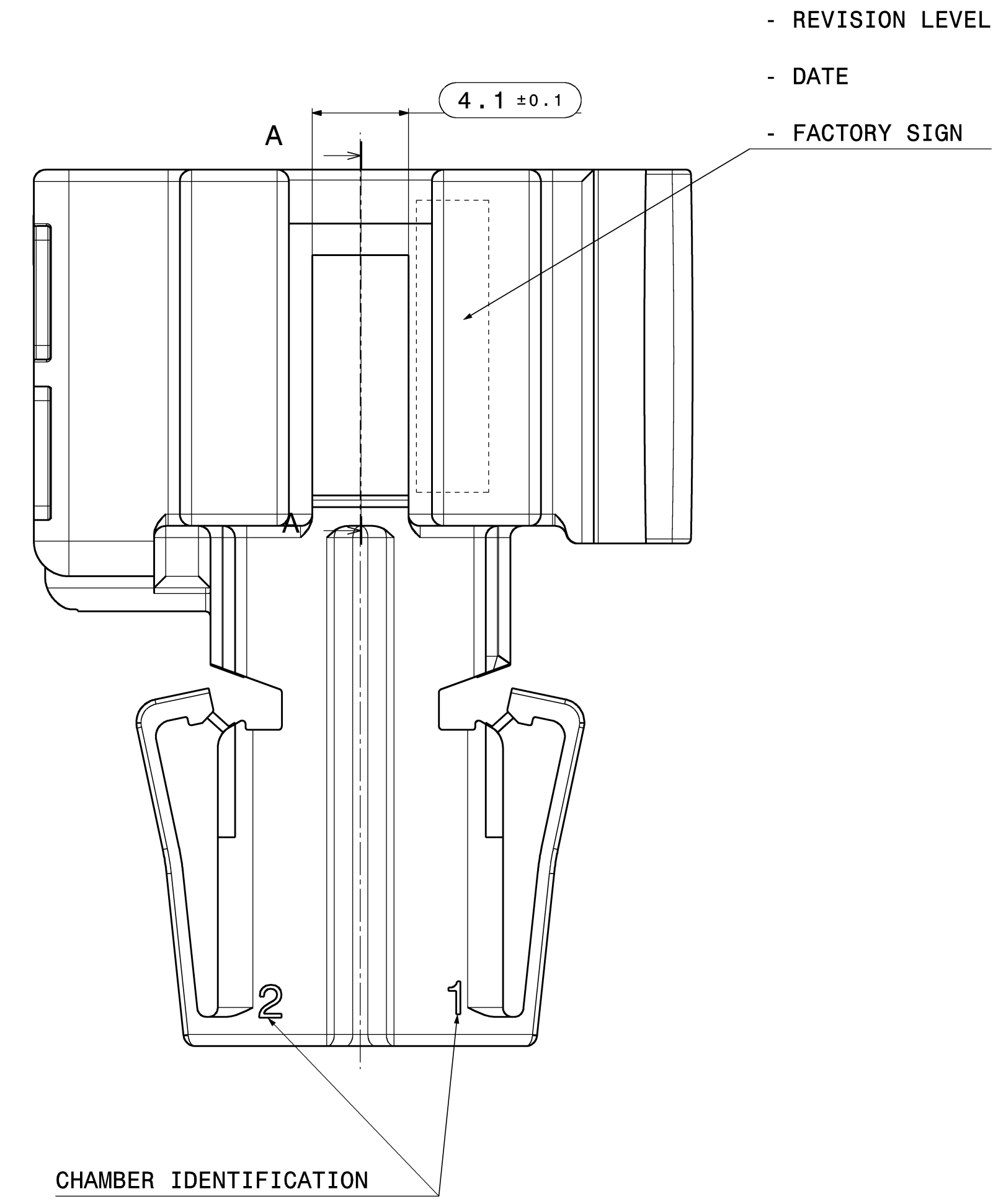
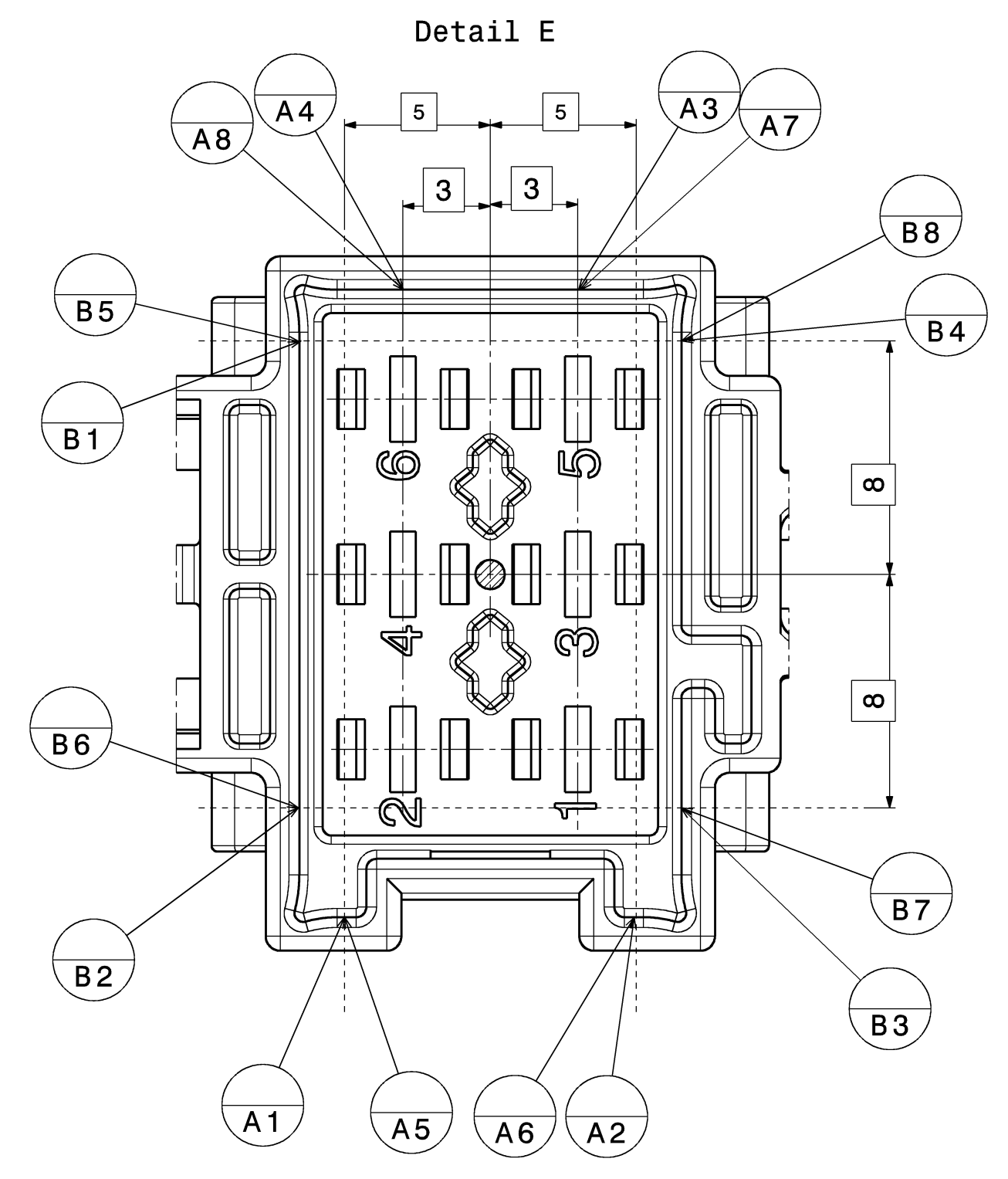
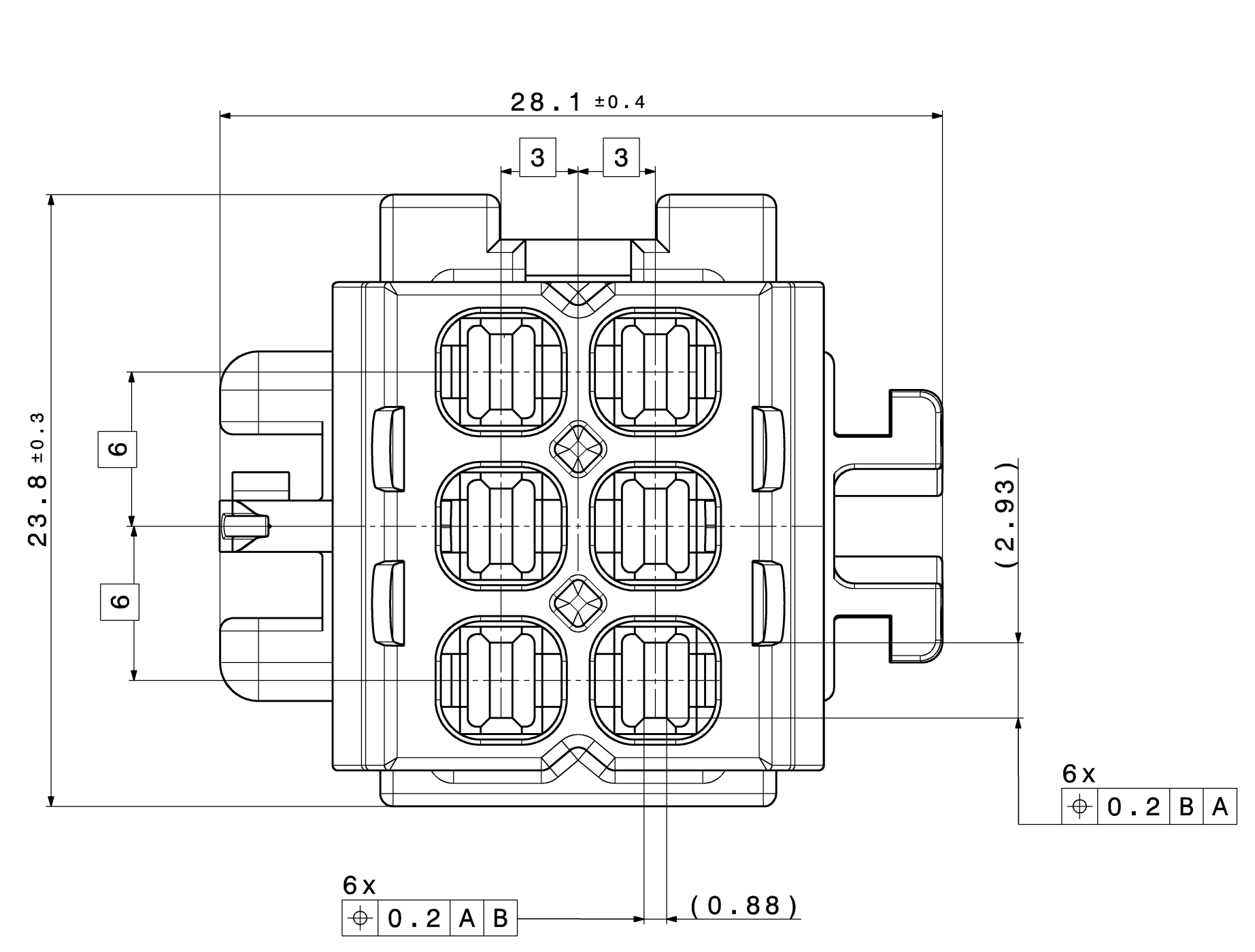


**OPTION 1**



- REVISION LEVEL
- DATE
- FACTORY SIGN

- MOULD CAVITY MARKING
- MATERIAL IDENTIFICATION
- HIRSCHMANN-NR.
- HA-COMPANY SIGN

**GENERAL TOLERANCES FOR UNTOLERATED DIMENSIONS:**

1. ANGLE-DIMENSIONS (°)  
TOLERANCE FOR ALL ANGLE-DIMENSIONS: ±2°

2. RADII: (mm)

TO	1	1-3	3-10	10-20	20-30	30-50
	±0.2	±0.3	±0.4	±0.5	±1	±2

3. DISTANCE-DIMENSIONS: DIN 2768-mH

4. GENERAL TOLERANCE FOR SYMMETRY: ±0.2

**CONNECTOR KEY-FACTS:**

CONTACT CHAMBER:	1-6
CONTACT SYSTEM:	2.8mm
MAX. WSR [mm²]:	4mm²
MAX. ISO-Ø [mm]:	MAX. INSULATION DIAMETER FOR 2.8: SEE RELEASED CONTACT DRAWING
DYNAMIC LOAD:	S01
ACC EPS-100095-00:	SURFACE: Sn
TEMPERATURE AREA (1000h):	+130°C
ACC EPS-100095-00:	HB
FLAME RESISTANCE ACC UL94 (ACC. DATA SHEET):	(1.6mm WALL THICKNES)

**ADDITIONAL VALID DOCUMENTS:**

HA NUMBER:	
MATCHING TO INTERFACE CONNECTION:	872-931-...00
MATCHING TERMINAL:	Tyco C-1355052
MATCHING COUNTERPART HIRSCHMANN:	706-452-...00
MATCHING TO JOINING ELEMENT:	Tyco C-114-18063-002
PRODUCT SPECIFICATION:	EPS-100095-00
PROCESSING SPECIFICATION:	EVS-100095-00
D-VALIDATION PLAN (FIRST RELEASE):	DVP-102831-00
SPECIFICATION:	EPH-100017-00

- COMMENTS:**
- CODING A IS SHOWN
  - DELIVERY STATUS AS DRAWN
  - ENGLISH TEXT IS VALID
  - MISSING DIMENSIONS SEE CAD-MODEL. THEREFORE THE GENERAL-TOLERANCES ARE VALID
  - DESIGN DEVIATIONS COMPARED WITH DETAIL DRAWINGS ARE INSIGNIFICANT.
  - THE DETAIL DRAWINGS ARE VALID.
  - PART CORRESPONDS TO EU SCRAP CAR GUIDELINE 2000/53/EG
  - CHANGES BASED ON TECHNICAL PROGRESS ARE IN THE DECISION OF THE MANUFACTURER! DETAILS OF IMPLEMENTATION ARE LEFT TO MANUFACTURER.
  - MAX. 30% ♻️ RECLAIM PERMITTED
  - PART IDENTIFICATION SIMILAR DIN 14511 ±0.2 ±0.2
  - DRAFT ANGLE WITHIN TOLERANCE.
  - MAX. SPLIT LINE 0.1
  - MAX. SURR 0.3
  - DIMENSIONS MARKED WITH ( ) ARE DOCUMENTED IN THE INITIAL SAMPLE INSPECTION REPORT (ISR). UNMARKED DIMENSIONS ARE ALSO MEASURED BUT NOT DOCUMENTED IN THE ISR. VARIATIONS MUST BE CORRECTED.

706-652-516	A	B	NATURE	2
709-652-513	A	C	BLUE, SIMILAR RAL5012	1
706-652-512	A	B	NATURE	1
706-652-511	A	A	BLACK, SIMILAR RAL9011	1

PART NUMBER: REVISION: CODING: COLOR: OPTION

00	Ersterstellung / Initial edition		02.08.2021	ALT
Version	Num.	Description of alteration	Date	Drawn
<b>Test instructions</b>				
Club state	Material	Final state	Break weight	Disc
	PEI-070			
Material-No.	Tolerances	siehe Tabelle	surface	ed/pt
	DIN ISO 13715		5:1	000 System
	Edges			CATIA V5
	Geometric tolerances:	010 ISO 1101		
Drawn	Date	Title	Scale	CDI
02.08.2021	15.03.2022	6way 2.8 EasyConn M Connector Neutral		
Checked	15.03.2022			
Released				
<b>HIRSCHMANN AUTOMOTIVE</b>				
Drawing - No.	706-652-...00			Sheet 1
Origin	Replacement	Disc	10000003945	